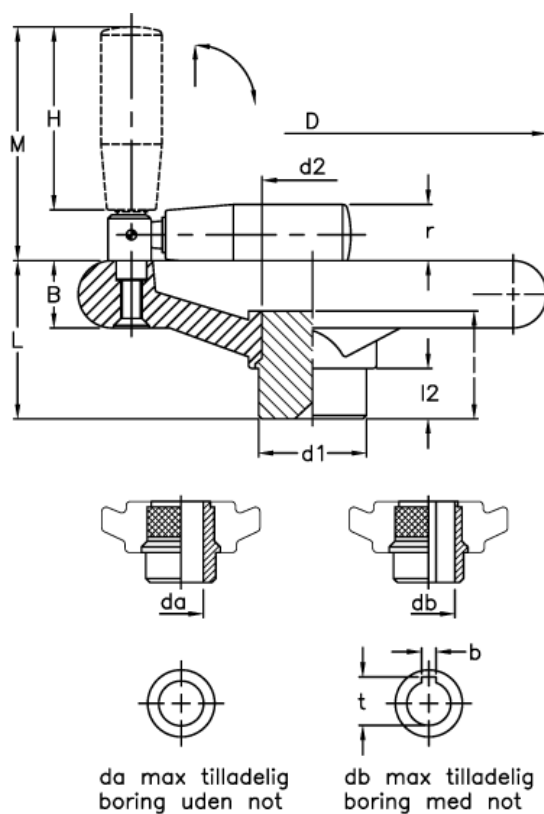


# Data Sheet



Article number: 2301077921  
Description: E+G Handwheel  
VR.375 FP+IR

## Measures



B	= 40	H	= 90	t = 43.3
b	= 12	l	= 77	
C (N m)	= 1450	L	= 108	
D	= 375	L (J)	= 70	
d1	= 58	l2	= 26	
d2	= 58	M	= 113	
da	= 45	r	= 27	
db	= 40	R	= 160	